

NOTES:

1.MATERIAL:

HOUSING:HIGH TEMP THERMO PLASTIC
 TERMINAL:COPPER ALLOY
 FITTING NAIL:COPPER ALLOY

2.PLATING: PER ACES PLATING CODE.

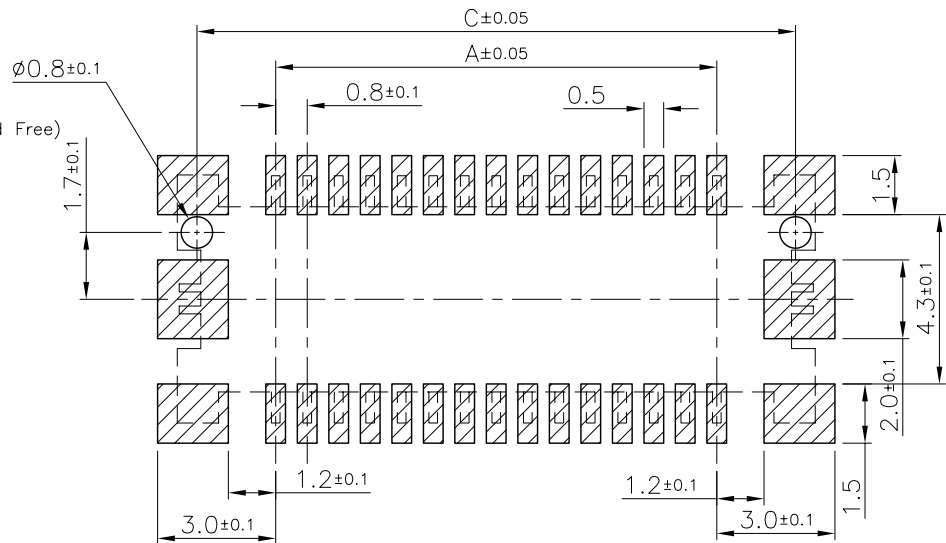
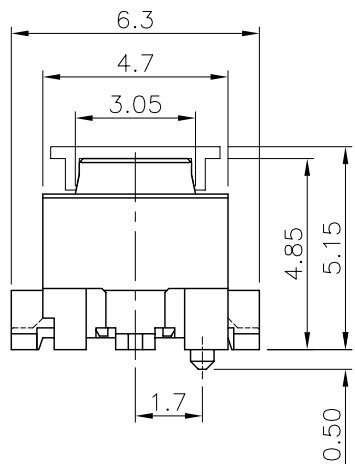
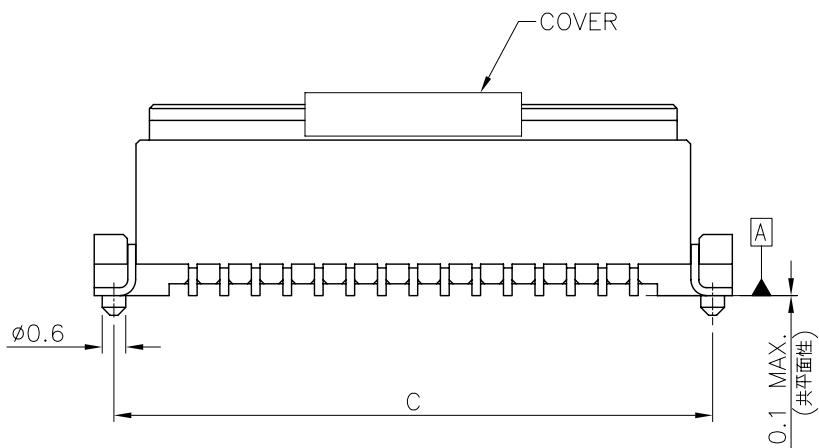
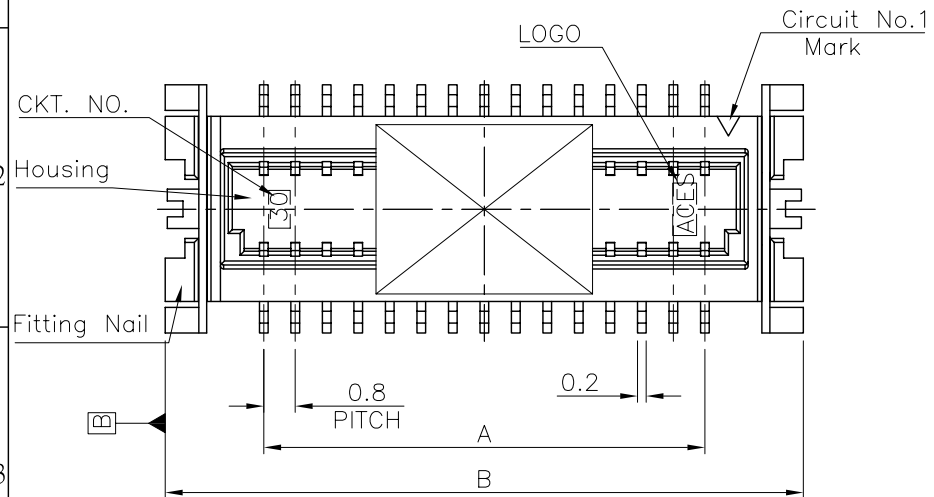
3.COPLANARITY 0.1 MM MAX. BASE ON DATUM A
 4.TRUE POSITION 0.1 MM MAX. BASE ON DATUM B
 5.This specification pls. refer to 88018-xxxx.

P/N LEGEND

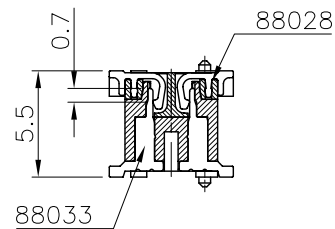
88033-XX X X

NO OF CKT
 PACKING
 0:TAPE & REEL
 1:TUBE

PLATING
 1:G/F OVER ALL(Lead Free)



PCB PATTERN LAYOUT



MATED CONDITION

CKT	Dim A	Dim B	Dim C
10	3.2	8.2	7.2
12	4.0	9.0	8.0
14	4.8	9.8	8.8
16	5.6	10.6	9.6
20	7.2	12.2	11.2
24	8.8	13.8	12.8
30	11.2	16.2	15.2
34	12.8	17.8	16.8
36	13.6	18.6	17.6
40	15.2	20.2	19.2
50	19.2	24.2	23.2
60	23.2	28.2	27.2
80	31.2	36.2	35.2

一般公差 TOLERANCES X ±0.5 XX ±0.15 X ±0.25 XXX ±0.1 ANGLES ±2°	
檢驗尺寸標示 SYMBOLS ⊕ ⊗ INDICATE CLASSIFICATION DIMENSION ⊕ MARK IS CRITICAL DIM. ⊗ MARK IS MAJOR DIM.	品名 (TITLE) 0.8mm BTB D/R CONN. SMT S/T TYPE 圖號 (DWG.NO) 88033-XXXX
表面處理 (FINISH)	比例 (SCALE) 單位 (UNITS) 5:1 mm

宏致電子股份有限公司
 Aces Electronic Co.,Ltd.

製圖 (DR) Bernie
 '06/01/24
 審核 (CHKD) Robin
 核准 (APPD) Jason
 張數 (SHEET) 1 OF 1
 SIZE A4
 REV 0

0	將數字版改為英文版(ECN-0604024)	'06/05/08	劉丹
REV	REVISION DESCRIPTION	DATE	SIGNATURE