

RECOMMENDED PCB LAYOUT
GENERAL TOLERANCE ±0.05

NOTES:

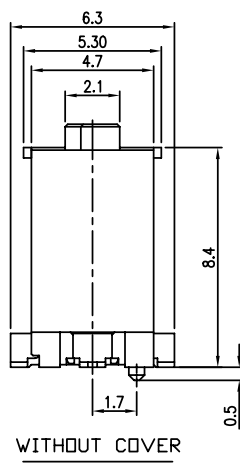
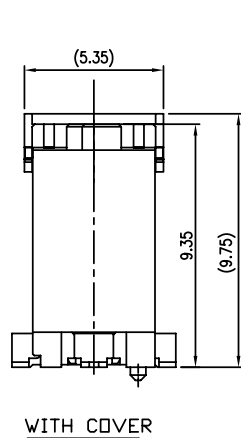
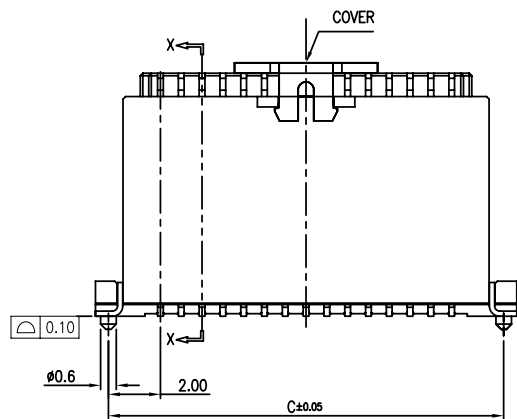
1. MATERIAL:
 - 1.1 HOUSING: THERMOPLASTIC, HIGH TEMP., UL94V-0; COLOR:NATURAL.
 - 1.2 CONTACT: COPPER ALLOY
 - 1.3 FITTING NAIL:COPPER ALLOY
2. FINISH:
 - 2.1 CONTACT: UNDERPLATING: 50~100u" NICKEL OVERALL. FINISH:SEE ORDER INFORMATION.
 - 2.2 FITTING NAIL: UNDERPLATING: 50~100u" NICKEL OVERALL. FINISH:SEE ORDER INFORMATION.
3. REFLOW SOLDER CAPABLE TO 260°C PER ACES SPEC.
4. SPEC. PLS. REFER TO PS-88030-xxxxx
5. PACKAGE PLS. REFER TO 88628-XXXXX-TRP
8. PART NUMBER

P/N LEGEND

88628-XXX	X	X-XXX	XXX	BOSS.	Housing Color.
NO OF CKT			001	WITH BOSS	WHITE

- PACKING
- 0:TAPE REEL
 - 1:TUBE PACKAGE
 - 7:TAPE REEL WITH COVER
 - 8:TUBE WITH COVER

- PLATING
- N:MATT TIN (LEAD FREE)
 - 1:G/F OVER ALL(LEAD FREE)
 - 4:3U" GOLD ON CONTACT, GOLD FLASH ON ALL(LEAD FREE)



CKT	Dim A	Dim B	Dim C
12	4.0	9.0	8.0
14	4.8	9.8	8.8
16	5.6	10.6	9.6
20	7.2	12.2	11.2
24	8.8	13.8	12.8
30	11.2	16.2	15.2
40	15.2	20.2	19.2
50	19.2	24.2	23.2
60	23.2	28.2	27.2
80	31.2	36.2	35.2

一般公差
TOLERANCES
X ±0.5 XX ±0.15
X ±0.25 XXX ±0.1
ANGLES ±2°

宏致電子股份有限公司
Aces Electronic Co.,Ltd.

檢驗尺寸標示
SYMBOLS ① ② INDICATE CLASSIFICATION DIMENSION
① MARK IS CRITICAL DIM.
② MARK IS MAJOR DIM.

品名 (TITLE)
0.8mm D/R BTB D/R CONN.
SMT S/T RCPT. Type
圖號 (DWG.NO)
88628-XXXXX-XXX

製圖 (DR)
09/03/13 WEILIANG
審核 (CHKD)
WGCH
核准 (APPD)
JASON

○	Proposal for APD980065 (ECN-0907206)	09/07/27	Keen
REV	REVISION DESCRIPTION	DATE	SIGNATURE

表面處理 (FINISH)

比例 (SCALE) 1:1
單位 (UNITS) mm

張數 (SHEET) 1 OF 1
SIZE A4
REV 0